

JET

EQUIPMENT & TOOLS

OPERATOR'S MANUAL **JPM-13CS Planer/Molder**



JET EQUIPMENT & TOOLS, INC.

A WMH Company
www.jettools.com

P.O. BOX 1349
Auburn, WA 98071-1349
e-mail jet@jettools.com

253-351-6000
Fax 253-939-8001
M-708524 7/99



 **WARNING**

For your own safety, read this instruction manual before operating the tool.

Wear Eye Protection

- **KEEP GUARDS IN PLACE** and in working order.
- **REMOVE ADJUSTING KEYS AND WRENCHES.** Form the habit of checking to see that keys and adjusting wrenches are removed from the tool before turning it on.
- **KEEP THE WORK AREA CLEAN.** Cluttered areas and benches invite accidents.
- **DO NOT USE IN A DANGEROUS ENVIRONMENT.** Don't use power tools in damp or wet locations, or expose them to rain. Keep work area well lighted.
- **KEEP CHILDREN AWAY.** All visitors should be kept safe distance from the work area.
- **MAKE THE WORKSHOP KID PROOF** with padlocks, master switches, or by removing starter keys.
- **DON'T FORCE THE TOOL.** It will do the job better and safer at the rate for which it was designed.
- **USE THE RIGHT TOOL.** Don't force a tool or attachment to do a job for which it was not designed.
- **USE THE PROPER EXTENSION CORD.** Make sure you extension cord is in good condition. When using an extension cord, be sure to use one heavy enough to carry the current your product will draw. An undersize cord will cause a drop in the line voltage resulting in loss of power and overheating. The table below shows the correct size to use depending on the cord length and name plate ampere rating. If in doubt, use the next heavier gauge. The smaller the gauge number, the heavier the cord.

Volts	Total Length of Cord in Feet			
120V	25	50	100	150
240V	50	100	200	300
			AWG	
	14	12		Not Recommended

- **WEAR PROPER APPAREL.** Do not wear loose clothing, gloves, neckties, rings, bracelets, or other jewelry which may get caught in moving parts. Non-slip footwear is recommended. Wear protective hair covering to contain long hair.
- **ALWAYS USE SAFETY GLASSES.** Also use face or dust masks if the cutting operation is dusty. Everyday eyeglasses only have impact resistant lenses, they are NOT safety glasses.

Important Information

**2-YEAR
LIMITED WARRANTY**

**JET offers a two-year limited
warranty on this product**

REPLACEMENT PARTS

Replacement parts for this tool are available directly from JET Equipment & Tools. To place an order, call 1-800-274-6848. Please have the following information ready:

1. Visa, MasterCard, or Discover Card number
2. Expiration date
3. Part number listed within this manual
4. Shipping address other than a Post Office box.

REPLACEMENT PART WARRANTY

JET Equipment & Tools makes every effort to assure that parts meet high quality and durability standards and warrants to the original retail consumer/purchaser of our parts that each such part(s) to be free from defects in materials and workmanship for a period of thirty (30) days from the date of purchase.

PROOF OF PURCHASE

Please retain your dated sales receipt as proof of purchase to validate the warranty period.

LIMITED TOOL AND EQUIPMENT WARRANTY

JET makes every effort to assure that its products meet high quality and durability standards and warrants to the original retail consumer/purchaser of our products that each product be free from defects in materials and workmanship as follows: 2 YEAR LIMITED WARRANTY ON THIS JET PRODUCT. Warranty does not apply to defects due directly or indirectly to misuse, abuse, negligence or accidents, repairs or alterations outside our facilities or to a lack of maintenance. JET LIMITS ALL IMPLIED WARRANTIES TO THE PERIOD SPECIFIED ABOVE FROM THE DATE THE PRODUCT WAS PURCHASED AT RETAIL. EXCEPT AS STATED HEREIN, ANY IMPLIED WARRANTIES OR MERCHANTABILITY AND FITNESS ARE EXCLUDED. SOME STATES DO NOT ALLOW LIMITATIONS ON HOW LONG THE IMPLIED WARRANTY LASTS, SO THE ABOVE LIMITATION MAY NOT APPLY TO YOU. JET SHALL IN NO EVENT BE LIABLE FOR DEATH, INJURIES TO PERSONS OR PROPERTY OR FOR INCIDENTAL, CONTINGENT, SPECIAL OR CONSEQUENTIAL DAMAGES ARISING FROM THE USE OF OUR PRODUCTS. SOME STATES DO NOT ALLOW THE EXCLUSION OR LIMITATION OF INCIDENTAL OR CONSEQUENTIAL DAMAGES, SO THE ABOVE LIMITATION OR EXCLUSION MAY NOT APPLY TO YOU. To take advantage of this warranty, the product or part must be returned for examination, postage prepaid, to an authorized service station designated by our Auburn office. Proof of purchase date and an explanation of the complaint must accompany the merchandise. If our inspection discloses a defect, JET will either repair or replace the product or refund the purchase price, if we cannot readily and quickly provide a repair or replacement, if you are willing to accept such refund. JET will return repaired product or replacement at JET's expense, but if it is determined there is no defect, or that the defect resulted from causes not within the scope of JET's warranty, then the user must bear the cost of storing and returning the product. This warranty gives you specific legal rights, and you have other rights, which vary, from state to state.

Electrical Requirements

115 Volt Operation

As received from the factory, your planer/molder is ready to run at 115 volt operation. This planer/molder, when wired for 115 volt, is intended for use on a circuit that has an outlet and a plug that looks the one illustrated in Figure A. A temporary adapter, which looks like the adapter as illustrated in Figure B, may be used to connect this plug to a two-pole receptacle, as shown in Figure B if a properly grounded outlet is not available. The temporary adapter should only be used until a properly grounded outlet can be installed by a qualified electrician. **This adapter is not applicable in Canada.** The green colored rigid ear, lug, or tab, extending from the adapter, must be connected to a permanent ground such as a properly grounded outlet box, as shown in Figure B.

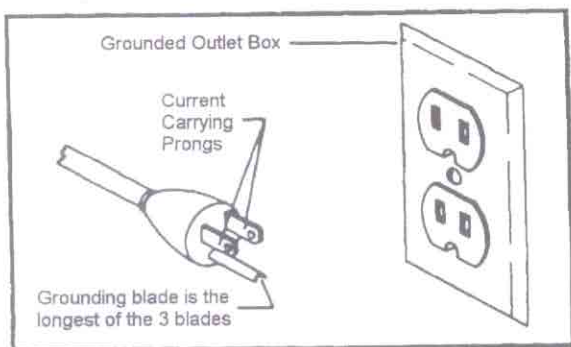


Fig. A

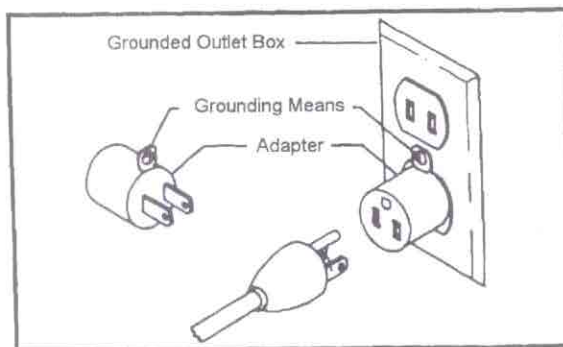


Fig. B

- **SECURE WORK.** Use clamps or a vise to hold the work when its practical. It's safer than using your hand and it frees both hands to operate the tool.
- **DON'T OVERREACH.** Keep proper footing and balance at all times.
- **MAINTAIN TOOLS WITH CARE.** Keep tools sharp and clean for best and safest performance. Follow instructions for lubricating and changing accessories.
- **DISCONNECT TOOLS** before servicing; when changing accessories, such as blades, bits cutters, and the like.
- **REDUCE THE RISK OF UNINTENTIONAL STARTING.** Make sure the switch is in the off position before plugging in the machine.
- **USE RECOMMENDED ACCESSORIES.** Consult the owner's manual for recommended accessories. The use of improper accessories may cause a risk of injury.
- **NEVER STAND ON A TOOL.** Serious injury could occur if the tool is tipped or if the cutting tool is unintentionally contacted.
- **CHECK DAMAGED PARTS.** Before further use of the tool, a guard or other part that is damaged should be carefully checked to determine that it will operate properly and perform its intended function. Check for alignment of moving parts, binding of moving parts, breakage of parts, mounting, and any other conditions that may affect its operation. A guard or other part that is damaged should be properly repaired or replaced.
- **DIRECTION OF FEED.** Feed work into a blade or cutter against the direction of rotation of the blade or cutter only.
- **NEVER LEAVE THE TOOL RUNNING UNATTENDED. TURN THE POWER OFF.** Don't leave the tool until it comes to a complete stop.

On-Off Switch Padlock

Model No. BP-1, Stock No. 709736

To safeguard your machine from unauthorized operation and to avoid accidental starting by young children, the use of a padlock is highly recommended. JET model BP-1 is available from your local authorized JET distributor or by calling JET Equipment & Tools at 800-274-6848.

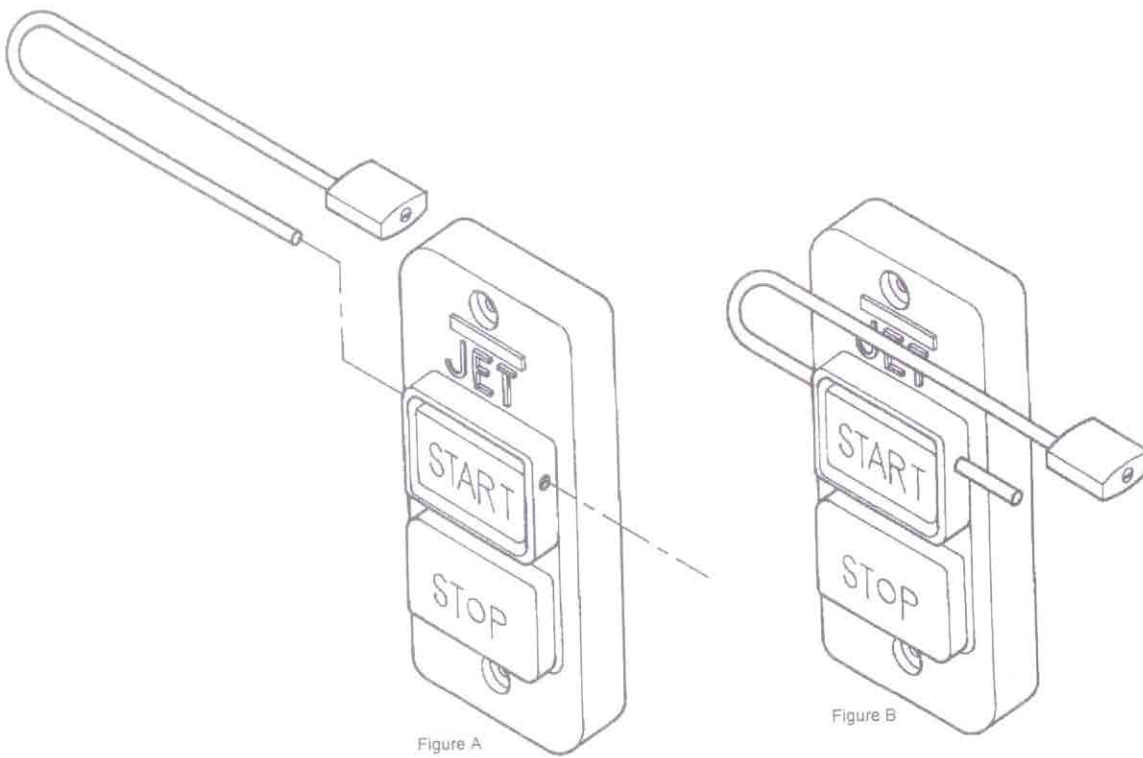


Figure A

Figure B

To lock out an on-off switch:

1. Open the padlock. See Fig. A.
2. Insert through holes in the start button. See Fig. B
3. Close the padlock.
4. Place the key in a safe place.

230 Volt Operation

If 230V, single phase operation is desired, the following instructions must be followed:

1. Disconnect the machine from the power source.
2. This planer/molder is supplied with four motor leads that are connected for 115V operation, as shown in Figure C. Reconnect these four motor leads for 230V operation, as shown in Figure D.
3. The 115V attachment plug, supplied with the planer/molder, must be replaced with a UL/CSA listed plug suitable for 230V operation. This plug is illustrated in Fig. E. Contact your local Authorized JET Service Center or qualified electrician for proper procedures to install the plug. The planer/molder must comply with all local and national codes after the 230 volt plug is installed.
4. The planer/molder with a 230 volt plug should only be connected to an outlet having the same configuration as illustrated by the grounded outlet box in Figure E. No adapter is available or should be used with the 230 volt plug.

Important: In all cases (115 or 230 volts), make certain the receptacle in question is properly grounded. If you are not sure, have a registered electrician check the receptacle.

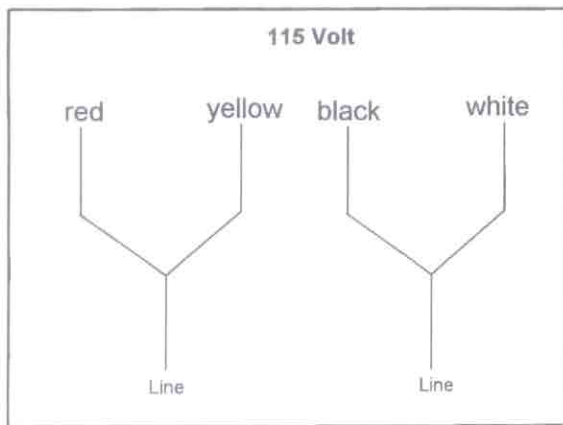


Fig. C

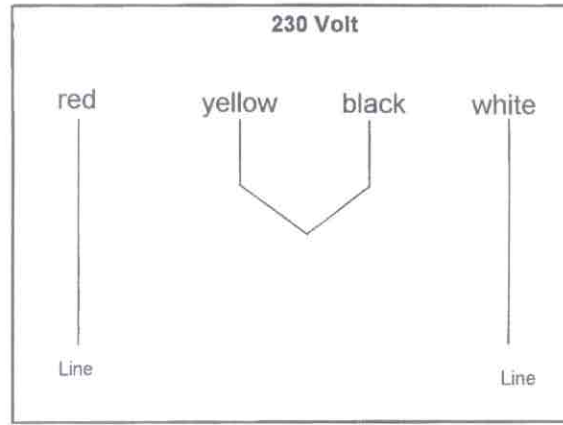


Fig. D

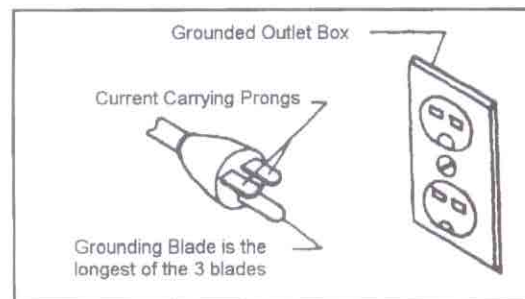


Fig. E

Terms and Definitions

- **Cutterhead** (A, Fig. 1)- metal cylinder that hold the planer knives or the molding cutters.
- **Table** - part of machine that lumber passes over.
- **Feed Rollers** - two rubber covered cylinders that push lumber through the machine.
- **Planer Knife** - one of three knives found in the cutterhead used for planing. (B, Fig. 1)
- **Molding Cutter** - one of three cutters in a set with a patterned edge used for cutting a decorative design into wood.
- **Gib** - metal bar with adjusting screws that hold planer knives or molding cutters in the cutterhead.
- **Depth of Cut** - depth of cut from workpiece on a single pass through the machine. (Fig. 2)
- **Snipe** - depression on either end of a planed board caused by feeding the board into the machine at an angle to the table or letting the board end drop down when exiting the planer.

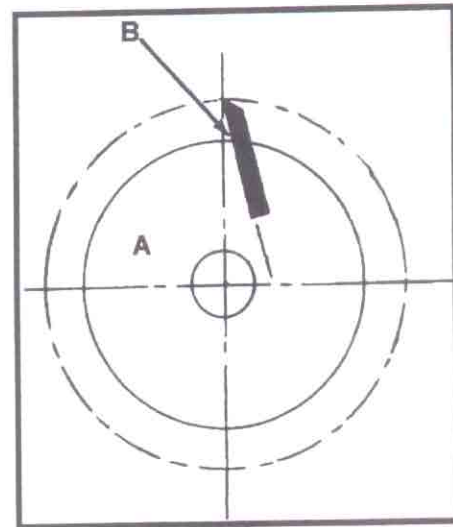


Fig. 1

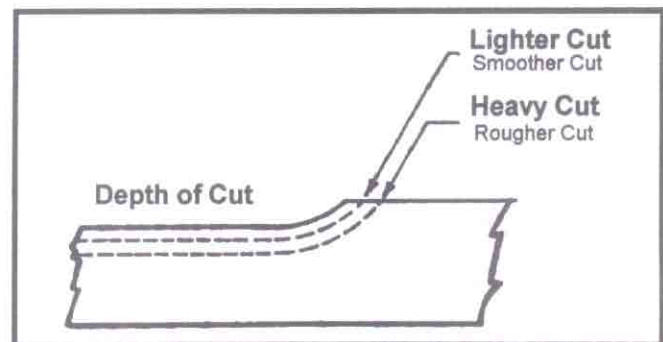


Fig. 2

Specifications:**JPM-13CS**

Stock Number	708524
Maximum Cutting Width	13"
Maximum Thickness	6-1/8"
Full Width Depth of Cut	1/16"
Minimum Planing Length	14"
Number of Knives	3
Cutterhead Speed (RPM)	4500
Cuts per Minute	13,500
Cutterhead Diameter	2-9/16"
Blade Size	13-1/16"L x 1/16"W x 5/8"H
Feed Rate (Feet Per Minute)	
Planing	20
Molding	10
Dust Chute Diameter	4"
Overall Dimensions	23-31/32"W x 36-1/2"D x 43-1/2"H
Motor	1-1/2HP, 115/230V, 3450 RPM
.....	rewired 115V
Net Weight (approx.)	225 lbs.
Shipping Weight (approx.)	262 lbs.

Optional Equipment**Stock Number**

Replacement Knife Set	JPM13-K	708366
Tripod Roller Stand	JRS-12	708495
3" C-Clamp Set (4 pc.) for Molding Guide Rails	JCC-13	708367
Molding Guide Rail Set (4 pc.) with Hardware	JMG-13	708368
Edge Guide Rail Set only (4 pc.)	JMG-13E	708369

JET offers a wide variety of molding cutter sets to meet your needs. Contact your local authorized JET distributor or call 1-800-274-6848 for a brochure with full details.

Note:

- * **The use of an optional dust chute and adequate dust collection system is highly recommended but not required for most planing operations.**
- * **The use of an optional dust chute and adequate dust collection system is required for all molding operations.**

The specifications in this manual are given as general information and are not binding. JET Equipment and Tools reserves the right to effect, at any time and without prior notice, changes or alterations to parts, fittings, and accessory equipment deemed necessary for any reason whatsoever.

Contents of the Shipping Container

- 1 Molder/Planer
- 1 Dust Chute
- 2 Extension Rollers

- 1 Accessory Package:**
- 1 Handle Assembly
- 1 10/12mm Wrench
- 1 11/13mm Wrench
- 1 Screwdriver
- 1 3mm Hex Wrench
- 1 4mm T-Handle Hex Wrench
- 1 5mm Hex Wrench
- 1 Knife Setting Gauge
- 1 Molding Cutter Gauge
- 1 Feed Roller Adjustment Wrench
- 1 Brass Bar
- 1 Touch-Up Paint
- 1 Video
- 1 Hardware Bag
- 1 Operator's Manual
- 1 Warranty Card

Unpacking and Clean-Up

1. Finish removing all contents from the shipping container. Do not discard any shipping material until the planer/molder is set up and running properly.
2. Report damage, if any, to your local distributor.
3. Clean all rust protected surfaces with a mild solvent or kerosene. Do not use lacquer thinner, paint thinner, or gasoline. These will damage painted surfaces.
4. To prevent rust, apply a light coating of paste wax to the table surface.

Introduction

The JET JPM-13CS woodworking planer/molder you have purchased is a high quality machine tool that will give you years of superior service. You will get maximum performance and enjoyment from your new planer/molder if you will take a few moments now to review the entire manual before beginning assembly and operation. Become familiar with the details of operation and be sure to review the controls page to start to become familiar with some of the unique words associated with a planer/molder.

The JET JPM-13CS planer/molder, as well as all JET products, are backed by a nationwide network of authorized distributors and/or service centers. Please contact your nearest distributor should you require parts or service. Parts are also available directly from JET by calling 1-800-274-6848.

Now that you have purchased a planer/molder, it is a good time to consider a dust collection system. See your local JET distributor for the complete line of dust collectors and the full line of JET Dust Collector Hoses and Accessories. Customize your installation and obtain maximum performance with Jet's dust hoods, hoses, clamps, fittings, and blast gates.

Table of Contents

Warnings.....	1-2
Electrical Requirements.....	3-4
On-Off Switch Padlock.....	5
Specifications.....	6
Terms and Definitions.....	7
Introduction.....	8
Table of Contents.....	8
Contents of the Shipping Container.....	9
Unpacking and Clean-Up.....	9
Assembly.....	10
Depth of Cut.....	11
Adjusting the Depth of Cut Scale.....	11-12
Wood Grain.....	12
Feed Rate Adjustment.....	12
Adjusting V-Belt Tension.....	13
Knife Adjustment.....	13-14
Knife Replacement.....	14-15
Adjusting the Infeed and Outfeed Rollers for Planing.....	15-16
Adjusting Chip Deflector for Planing.....	16
Planing Procedures.....	17-18
Installing Molding Cutters.....	18-19
Setting Feed Rollers for Molding.....	20-21
Making and Installing a Bedboard.....	21
Making Guide Rails.....	21-22
Guide Rail Placement and Attachment.....	22-23
Molding Procedure.....	23
Setting Table Height for the First Pass.....	24
Back Relief Molding.....	25
Tongue and Groove Molding.....	25
Lubrication.....	25
Maintenance.....	25
Troubleshooting.....	26-27
Parts Lists and Breakdowns.....	28-35
Electrical Schematic.....	36

Planing Setup and Adjustments

Depth of Cut

CAUTION

Maximum depth if cut is 1/8" up to 5-1/2" wide and 1/16" on stock over 5-1/2" wide. Trying to cut more in one pass will cause stress on the machine and could damage the cutterhead.

Thickness planing refers to the sizing of lumber to a desired thickness while creating a level surface parallel to the opposite side of the board.

The quality of thickness planing depends on the operator's judgment about the depth of cut. Depth of cut depends on the width, hardness, dampness, grain direction, and grain structure of the wood.

The maximum thickness of wood that can be removed in one pass is 1/8" on wood up to 5-1/2" wide and 1/16" on wood wider than 5-1/2".

When planing hard wood, take light cuts or plane wood in thin widths.

Make a test cut when working with a new type of board or different kind of operation. Check the accuracy of the test cut before working on the finished product.

Adjusting the Depth of Cut Scale

WARNING

Use caution when placing hands near the cutterhead! Knives are extremely sharp! Failure to comply may cause serious injury!

1. Take a test cut.
2. Measure the cut piece.
3. Adjust the pointer accordingly.

Dealing with Warped Wood

Warp is caused by different grain directions in a piece of wood drying at different rates during the drying process.

Wood Warped Across the Width - Cupped wood is planed flat on one side first, then planed flat on the other. Ripping the board down the middle will avoid huge amounts of waste in planing to thickness.

Assembly

1. Remove dust hood. Check gib screws on cutterhead for tightness. Install dust hood.
Note: Recheck after five minutes of operation. Recheck again after every 2 hours of use.
2. Attach the handle to the post with a hex socket cap screw.
3. Attach the top side of dust chute with three M5x10 machine screws, and three M5 washers.
4. Attach the lower section of dust chute with three M6x8 machine screws, and three M6 washers.
5. Mount extension roller assembly to the middle table with four M8x12 hex cap bolts, and four M8 flat washers. The frame is adjustable using these bolts.
6. Using a straight edge make sure rollers are level with the middle table.
7. The first roller is adjustable by loosening the hex cap bolts that hold the roller on the frame supports.
8. Repeat steps 5-7 for opposite side roller assembly.



WARNING

Never run machine with dust hood loose or removed!

Failure to comply may cause serious injury!

Adjusting V-Belt Tension

1. **Disconnect the machine from the power source. (Unplug)**
2. Remove the stand cover on the left of the stand.
3. Loosen four round cap hex socket slot screws holding motor plate to stand.
4. Push down on motor to tension belt. Belt is tensioned properly when moderate finger pressure on the belt midway between the two pulleys causes approximately 1/4" deflection.
5. Tighten four round cap hex socket slot screws.
6. Replace the stand cover.

Knife Adjustment

CAUTION

**Any adjustment or replacement of knives must be done to all three knives at the same time!
Failure to comply may result in an out of balance cutterhead which will lead to a bearing failure!**

WARNING

**Use caution when placing hands near the cutterhead! Knives are extremely sharp!
Failure to comply may cause serious injury!**

1. **Disconnect the machine from the power source. (Unplug)**
2. Remove screws securing the dust hood and dust chute.
3. Remove dust hood and dust chute.
4. With a marking pen, label each knife on the cutterhead one, two, and three for easy identification.
5. Loosen all lock bar screws on blade number one.
6. With the brass bar and a mallet, carefully tap on each end on the outside of the set screws for all three lock bars on knife number one. This loosens the taper fit of the lock bar.

Wood Warped Lengthwise - Feed rollers will flatten a lengthwise warped board as if it were flat, but the board will spring back to its original shape once out of the planer. A lengthwise warped board must be jointed flat on one side on a jointer before being thickness planed.

Twisted Wood - Twisted lumber or lumber twisted lengthwise is hardest to thickness plane. The wood may be so twisted that it cannot be thickness planed. One possible solution may be to saw the board into smaller sections and see if the sections can be thickness planed.

Wood Grain

For an improved surface finish with minimal tearout, always plane the work piece with the grain.

The work piece should be fed into the planer/molder so that blades are traveling with the grain as they finish the cut. The grain should be angled up toward the rear of the work piece as it is fed into the planer/molder.

Feed Rate Adjustment

The planer/molder has two speeds that feed the work piece at 10 feet per minute (FPM) for improved surface finish when molding and 20 FPM for faster planing.

To change the feed rate gears:

1. **Disconnect the machine from the power source. (Unplug)**
2. Remove acorn nut holding the gear cover.
3. Remove two hex socket cap screws and two washers.
4. Remove gears and position according to operation. See gear chart. (Fig. 3)
5. Replace screws and washers to hold gears in place.
6. Replace cover and acorn nut.

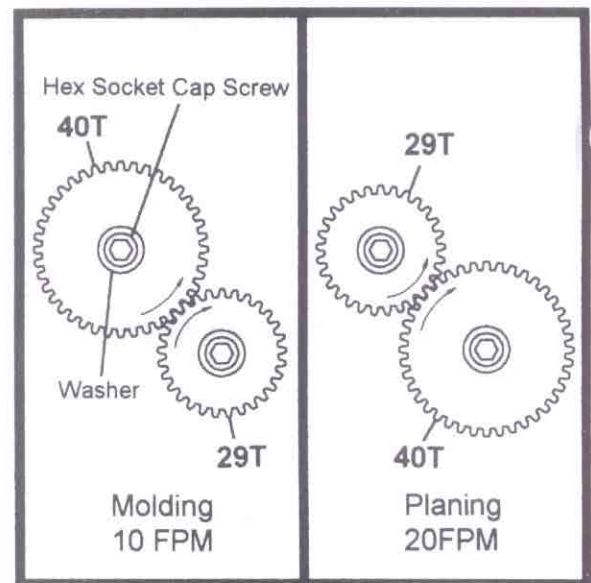


Fig. 3

8. Remove lock bars.
9. Repeat steps 5-8 for knives two and three.
10. Clean cutterhead of any wood chips, pitch, saw dust, and any other debris.
11. Replace lock bars on knife number one as in Fig. 5 paying attention to which direction they face.
12. Carefully install new or sharpened knife into cutterhead between lock bar and cutterhead. Note direction of knife as pictured in Fig. 5.
13. Adjust knife. Refer to section in this manual titled "Knife Adjustment", steps seven through eleven.
14. Repeat steps 11-13 for blades number two and three.

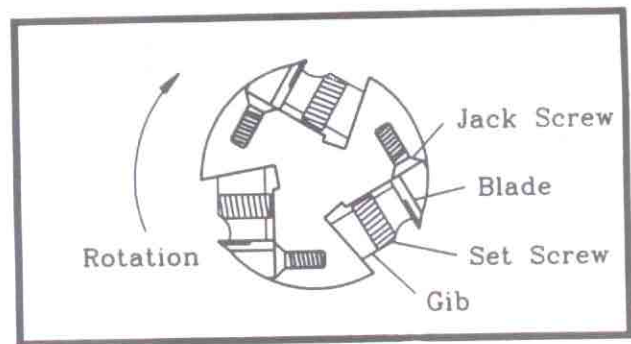


Fig. 5

Adjusting the Infeed Roller and Outfeed Rollers for Planing

As a general rule of thumb, the infeed and outfeed rollers are set $1/8$ " below the cutterhead (not the knives) at the factory. To check the feed rollers:

1. **Disconnect the machine from the power source. (Unplug)**
2. Make two blocks out of scrap 2x4 lumber using the dimensions noted.
3. Mark each block as shown in Figs. 6 and 7.
4. Lower the work table to allow cutterhead block to slide freely between the table and the cutterhead. **Note:** Cutterhead may have to be turned by hand to rotate a blade out of the way.
5. Adjust the table height so the block can be inserted between the table and the cutterhead with minimum resistance.
6. Remove the block. Do not raise or lower the table at this point. It will affect the final result.

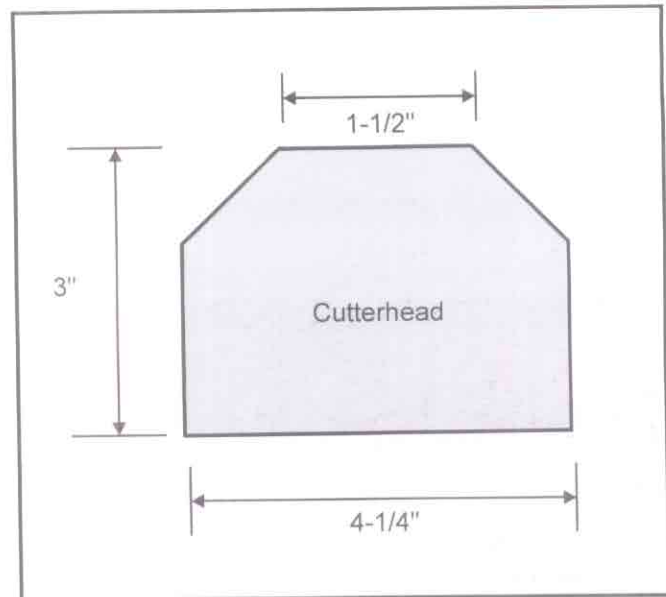


Fig. 6

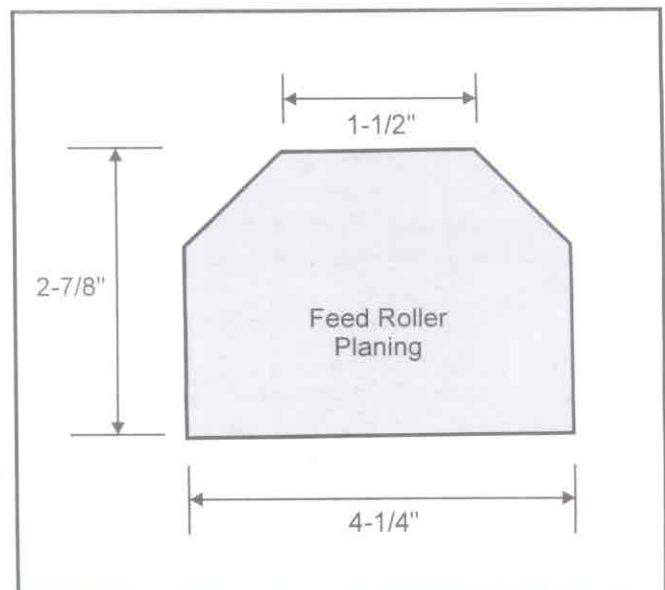


Fig. 7

7. Raise or lower knife by turning jack screw. Knife is at correct height when knife tip just touches center tip of knife gauge. (Fig. 4)
8. Place knife gauge at other end of knife number one.
9. Raise or lower knife to the correct height.
10. Tighten knife bar locking screws. **Note:** Tighten each large lock bar independently. Take half turns alternating on each end until lock bar is tight against the knife. Tighten small lock bar after two large lock bars are tight. The small lock bar requires two spacers to firmly hold the knife. Tighten in the same manner as the large lock bars.
11. Continue to check knife height with gauge until set screws are firmly tightened.
12. Repeat steps five through eleven for blades two and three.

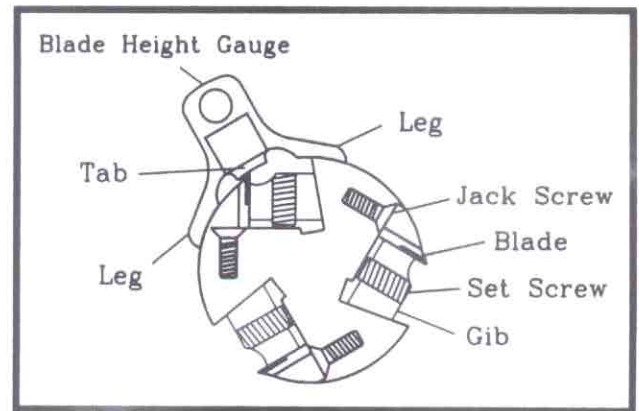


Fig. 4

Knife Replacement

⚠ WARNING

Use caution when placing hands near the cutterhead! Knives are extremely sharp! Failure to comply may cause serious injury!

1. **Disconnect the machine from the power source. (Unplug)**
2. Remove screws securing the dust hood and dust chute.
3. Remove dust hood and dust chute.
4. With a marking pen, label each knife on the cutterhead one, two, and three for easy identification.
5. Loosen all lock bar set screws on knife number one.
6. With the brass bar and a mallet, carefully tap on each end on the outside of the set screws for all three lock bars on knife number one. This loosens the taper fit of the lock bar.
7. Carefully remove knife.

Planing Procedure

 **WARNING**

**Never stand directly in front or behind the machine while planing or molding! Always stand to one side or the other!
Failure to comply may cause serious injury from kickback!**

CAUTION

Never plane more than 1/8" on stock narrower than 5-1/2" and 1/16" on stock 5-1/2" and wider in one pass! This will cause stress on the machine, lead to premature wear, and may damage knives and/or the cutterhead!

 **WARNING**

**Never attempt to plane a workpiece shorter than 14" or thinner than 1/2"!
Failure to comply may cause serious injury!**

CAUTION

The use of a dust collection system is highly recommended. If a dust collection system is not used, remove the hose adapter from the dust hood or wood chips will collect in the dust hood and back up into the machine.

The JPM-13CS is supplied with planing blades mounted in the cutterhead. Planing can be done at 10 FPM for an improved surface finish or 20 FPM for faster planing. Work pieces longer than 24" should be supported with infeed and outfeed rollers.

1. Adjust the table height to produce the depth of cut desired.
2. Start the machine.
3. Stand to one side and grasp the work piece in the center.
4. Gently slide the work piece into the infeed side of the planer/molder until the infeed roller begins to advance the work piece.

7. Insert the block labeled " Feed Roller Planing" into the planer opening.
8. Raise or lower the feed roller until it rests on top of the block end to end. To adjust the feed roller (Fig 8):
 - Loosen the jam nut on both sides of the infeed roller with the wrench provided.
 - Turn the threaded bushing counter clockwise to raise the roller and clockwise to lower the roller.
 - Raise or lower the roller until it contacts the top of the block on both ends of the roller.
 - Block should slide in and out with a minimum of force.
 - Tighten jam nuts and re-check.
9. Repeat this process with the outfeed roller. Retain the wooden blocks for future use.

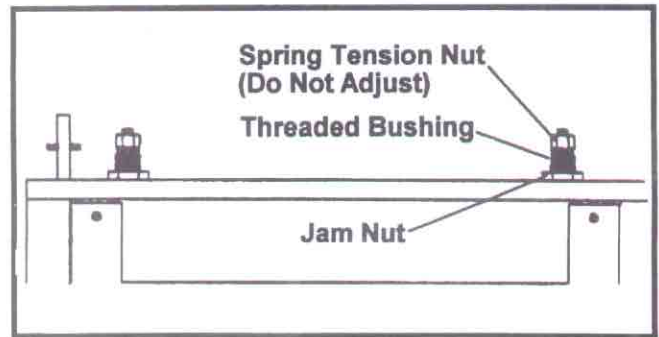


Fig. 8

Adjusting Chip Deflectors for Planing

Adjust the outfeed chip deflector (as shown in Fig. 9) to within 1/4" to 1/8" of planing knives to prevent chips from being pressed into the planed surface of the work piece by the outfeed roller. **Note:** Adjusting the chip deflector too close to the cutterhead while planing will cause a higher than normal noise level especially when using a dust collector. The use of a dust collection system with the capacity to handle a large volume of material is highly recommended.

The infeed chip deflector (curved piece attached to the top cover with three screws and wing nuts) must be adjusted as close to the cutterhead as the adjustment allows without contacting the cutterhead and knives.

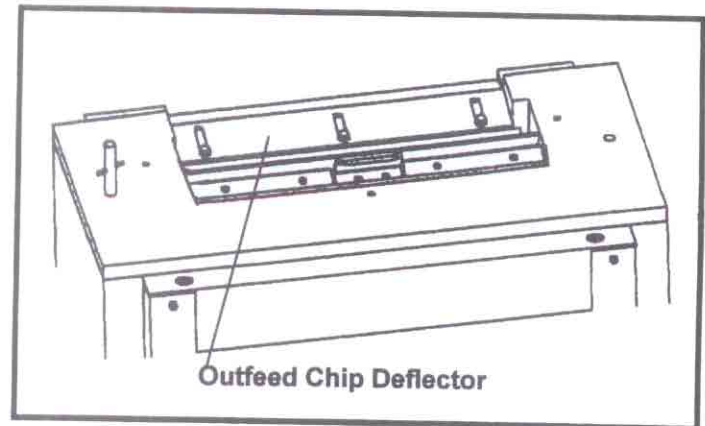


Fig. 9

- Install cutter in place of spacers. Cutters must face the proper direction and be seated fully in the cutterhead.

For cutters over 2" and models 709309 and 709310:

- Loosen set screws on all lock bars at cutter number one.
 - With the brass bar and a mallet, carefully tap on lock bar outside of set screws to loosen lock bar taper fit.
 - Carefully remove spacers, planing knives and lock bars.
 - Install special lock bar that is included with the knife set. Make sure set screws are loose to allow locking adjustment. Do not tighten at this time.
 - Install cutter. Make sure it is facing the proper direction and is fully seated in the cutterhead.
8. Install molding cutter gauge with hex socket cap screw and tighten to hold in place. The guide may be attached to either side. See Fig. 11.
 9. Adjust the guide end to meet the cutter edge.
 10. Tighten the hex socket cap screw holding the guide bar and be careful not to move it during the alignment process.
 11. Tighten lock bar set screws to hold cutter in place. Tighten set screws half turn each side to uniformly raise the lock bar until tight.
 12. Rotate cutterhead to the second cutter insert.
 13. Repeat steps for cutter inserts two and three making sure the cutters are properly positioned according to the alignment guide..
 14. Remove guide.
 15. Check that all set screws in the cutterhead are tight.
 16. Replace dust hood and dust chute.
 17. Run machine for five minutes. Re-tighten gib screws in cutterhead. Recheck after every 2 hours of use.

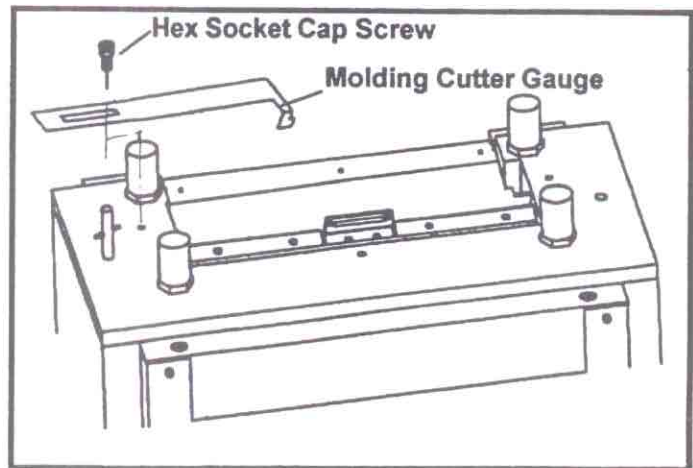


Fig. 11

5. Let go of the work piece and allow the feed rollers to advance the work piece.
6. Catch the work piece as it comes out the outfeed side of the planer/molder.

Molding Setup and Adjustments

- Set up the feed gear box to 10 FPM. (See illustration and instruction on page 12).

Installing Molding Cutters

WARNING

Cutterhead knives are sharp! Use extreme caution when working in close proximity! Never attempt to mold without a dust chute and dust collection system! Failure to comply may cause serious injury!

1. Disconnect the machine from the power source. (Unplug)
2. Remove screws (A, Fig. 9A) securing the dust hood.
3. Remove dust hood (B, Fig. 9A) and dust chute.
4. Loosen three wing nuts (C, Fig. 9A) and slide the curved infeed chip deflector (D, Fig. 9A) out of the way.
5. Tighten screws to hold chip deflector in place. It is not used in the molding operation.
6. Remove plastic outfeed chip deflector completely.
7. With a marking pen, label each knife slot on the cutterhead one, two, and three for easy identification.

For 2" and under cutters except models 709309 and 709310:

- Loosen set screws on 2" lock bar at cutter number one.
- With the brass bar and a mallet carefully tap on lock bar outside of set screws to loosen taper fit of the lock bar.
- Remove spacers.
- Remove lock bar. **Note:** With 2" wide and under molding cutters, the planing knives remain in place. (Fig. 10)
- Install lock bar but do not tighten at this time. **Note:** Depending on cutter width, 1" and under cutters will require a spacer next to the cutter.

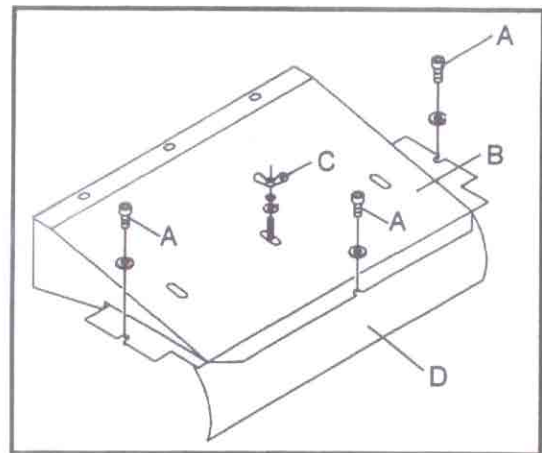


Fig. 9A

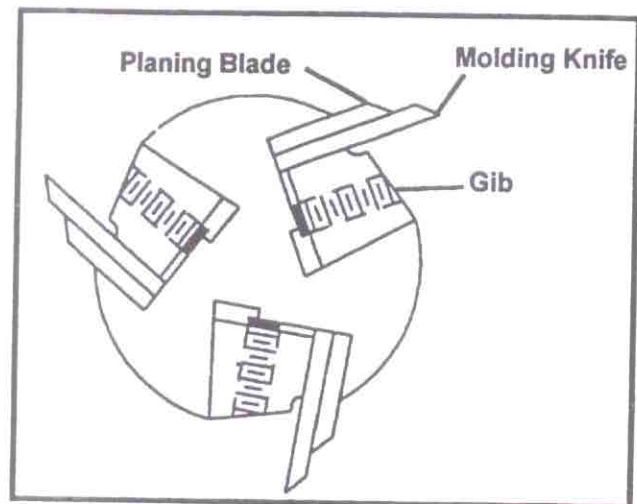


Fig. 10

This machine is designed and intended for use with three matched knives in sets. Many companies offer knife sets that included only one knife and two counter-weights. These cause severe vibration and can damage the machine.

JET does not recommend knives other than those with the JET brand name. The use of other than knives sold and distributed by JET Equipment and Tools may cause damage to the machine and may jeopardize your personal safety.

Making and Installing a Bedboard

CAUTION

Your must use a board over the planer/molder table when molding. This prevents the knives from hitting the table and allows the knives to cut into the guide boards to clean up the sides of the molding.

1. **Disconnect the machine from the power source. (Unplug)**
2. Cut a piece of 3/4" particle board 12-7/8" wide and 31-1/4" long. **Note:** Board is 12" longer than the table to allow overhang (6" front and rear). This increases the work surfaces for longer pieces of wood stock.
3. Mark and drill four 1/4" holes on the bedboard that match the pre-drilled holes in the planer/molder table.
4. Countersink the four drilled holes on the top side to allow installation of countersunk screws.
5. Secure the bedboard to the table with four 3/16" x 1-1/2" flat head machine screws, four 3/16" x 3/4" washers and four 3/16" hex nuts.

Making Guide Rails

Guide rails are used during the molding process to align the workpiece with the molding cutters. Using properly adjusted guide rails assures the workpiece passes the molding cutters in the same position using multiple passes.

Guide rails should be the same length as the table (31-1/4") and 2" wide and be made from smooth, straight hardwood, such as oak, maple, alder, etc. so they will not damage the cutters when they

⚠ WARNING

Never run the machine with the dust hood loose or removed!
All cutter lock bar screws must be firmly seated before turning on the machine! Failure to comply may cause blade and/or cutter ejection resulting in damage to the machine, cutter, and may pose a hazard to the operator!

Setting Feed Rollers for Molding

The infeed and outfeed rollers will have to be lowered for most molding operations. The amount of adjustment required will vary depending on the size and style of the cutter.

When using cutters larger than 2" wide, the feed rollers will have to be set $\frac{5}{16}$ " below the cutter head. To set the feed rollers for molding:

1. Following the method for setting the feed rollers when planing (previously explained in this manual), make another wooden block $\frac{5}{16}$ " lower than the cutterhead block. See Fig. 11A.
2. Adjust the infeed and outfeed rollers in the same manner as setting the rollers for planing using this new block.
3. Label this block "feed roller molding".
4. Save the block for future use.

CAUTION

Never lower the infeed and outfeed rollers beyond $\frac{5}{16}$ " lower than the cutterhead. This will cause severe stress on the gear box and roller system.

When using molding knives wider than 2", the first pass or cut will remove approximately two thirds of the stock. Test cuts on scrap material will determine the number of passes required to complete the cut. **Never attempt to complete a cut with less than two passes on smaller knives (under 2") and three passes on larger knives (over 2").** Generally, the more passes, the better the finish.

Due to the variety of cutters available, it is impossible to cover every possible set-up. It is very important to use test cuts on scrap material before attempting cuts on project material.

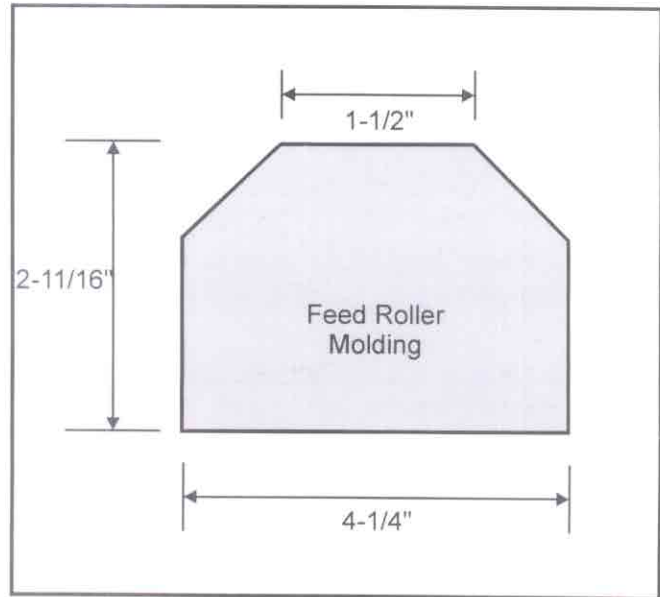


Fig. 11A

8. Clamp or nail second guide rail.
9. Replace dust hood and dust chute and fasten in place.
10. Connect to the dust collection system.
11. Make sure all adjusting tools and wood stock are removed from the machine.

Save money, time, and frustration by experimenting first with scrap work pieces before attempting to mold with expensive stock.

Molding Procedure

CAUTION

Never mold without using a dust collector! Molding without a dust collector may cause the machine to clog and damage to the machine!

Molding with professional results takes planning prior to starting. Always take a light cut for the smoother finish. Pre-sizing wood before molding is a necessity. Always pre-size the workpiece to 1/16" of the final thickness before running the workpiece through the molder.

With profiles that require outer edge clean-up, the workpiece should be 1/8" larger than the final width allowing 1/16" on either side of the cutter. (Fig. 15)

With profiles that only cut the edge of the workpiece, the workpiece should be the same size as the final width. (Fig. 16)

Other considerations before molding to consider are wood hardness, moisture content, degree of warp, and direction of grain.

⚠ WARNING

**Never attempt to mold a work piece shorter than 14" or thinner than 1/2"!
Failure to comply may cause damage to the machine and/or serious injury to the operator!**

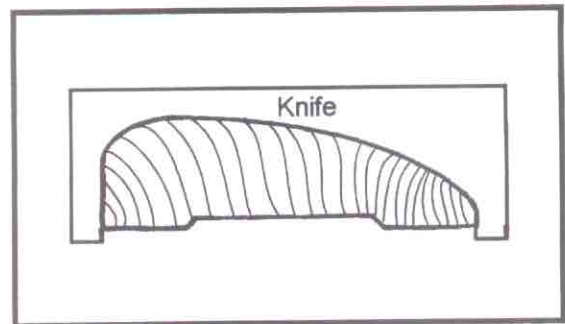


Fig. 15

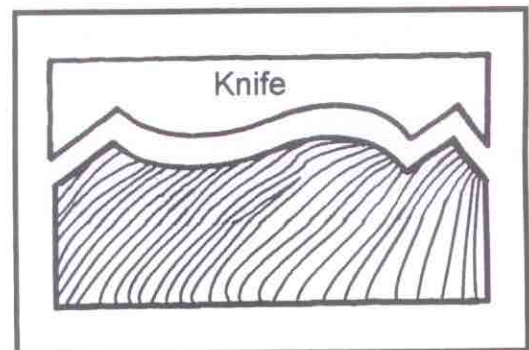


Fig. 16

contact them. Some molding profiles require the knives to cut into the guide rails to clean up the outer edge to complete the cut. (Fig. 12)

Guides should be cut 1/4" lower than the maximum thickness of the final workpiece profile. Regardless of how thick your guide rails are, they must be notched to clear the infeed/outfeed rollers and anti-kickback fingers. See Figure 13 for pattern.

JET offers deluxe guide rail sets with hardware. Contact your distributor for full details.

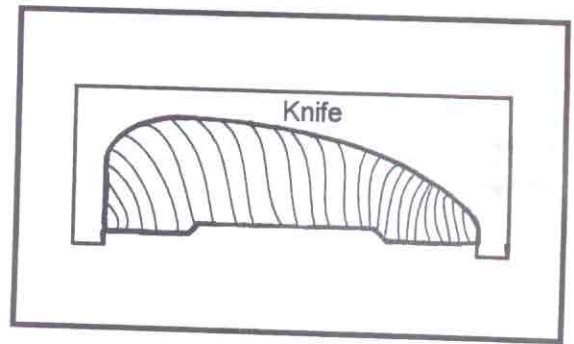


Fig. 12

Guide Rail Placement and Attachment

1. **Disconnect the machine from the power source. (Unplug)**

To assist in proper placement of the guide rails it is suggested to remove the dust hood and dust chute to clearly see the cutter knife and rail placement. It is also helpful to draw parallel lines on the bedboard to assure proper alignment of the guide rails from the infeed side to the outfeed side.

2. Molding cutter must be installed properly in the cutterhead. See "Installing Molding Cutters".
3. Lower table.
4. Carefully turn cutterhead so that one cutter is at the lowest point of the cutting arc.
5. Slide in first guide rail and position inside edge of guide rail to outside edge of the finished work piece. **Note:** On many patterns this will be the outside edge of the knife.
6. Clamp the guide rail to the bedboard using "C" clamps on both ends. (This can also be done by nailing with small gauge finish nails. Keep in mind the guide rails must be positioned properly before nailing. Be careful with nail length; do not nail through the bedboard and into the table). (Fig. 14)
7. Position second guide rail on the table. Placement of this rail depends on the width of the board and if the board requires outer edge clean-up. Review molding procedure section for pre-sizing stock guidelines. When using knives that require outer edge clean-up, the workpiece will contact the guide rails only while wood is feeding into the cutterhead. After the workpiece passes the cutterhead, the outfeed roller will hold the workpiece in position.

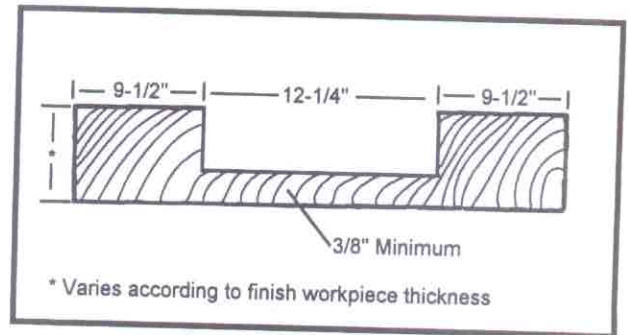


Fig. 13

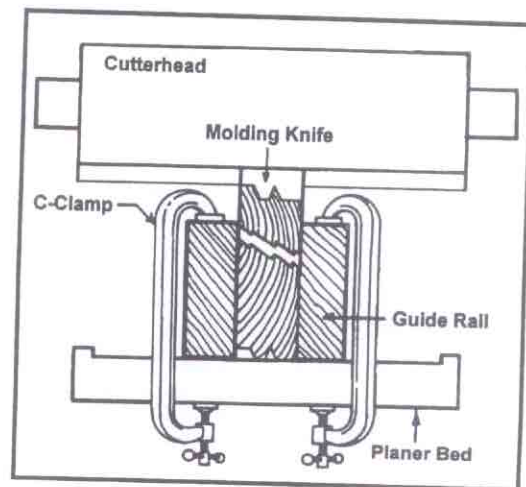


Fig. 14

Back Relief Molding

Back relief molding is used to create a better fit over irregular surfaces. With less wood contact, the molding matches irregular surfaces more easily. The back relief cut is formed on the work piece first; then the workpiece is molded to it's finished shape. (Fig. 17)

Tongue and Groove Molding

Tongue and groove molding is accomplished in the same manner as other types of molding. Keep in mind the edge guide must be taller to adequately support the workpiece. The edge guides must be set $3/4$ " below the lowest point the cutter will travel. Cutting the groove first allows adequate support when cutting the tongue. (Fig. 18)

Lubrication

Disconnect the machine from the power source. (Unplug)

- Coat the elevating screws with a light automotive bearing grease once a month.
- Lightly coat the chain drive and gears with light automotive grease once a month.
- Lubricate four columns with 10W machine tool oil once a month.

Maintenance

Disconnect the machine from the power source. (Unplug)

- Keep the anti-kickback pawls clean and operating smoothly to prevent injury due to kickback.
- Lubricate the table with furniture wax or automotive paste wax for smoother feeding of the workpiece. Do not use a lubricant that will affect the work piece's ability to accept stains or protective finishes.
- Replace feed rollers, blades, and cutter knives if they become damaged. Sharpen blades and cutters when they become dull.

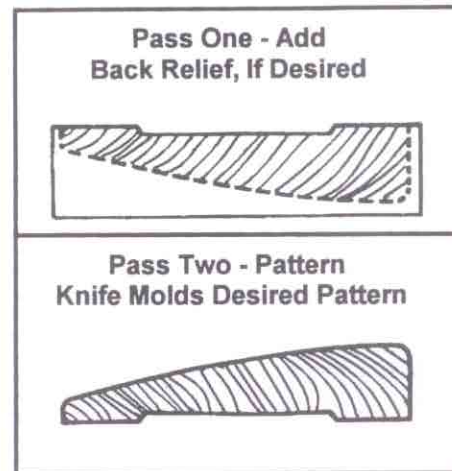


Fig. 17

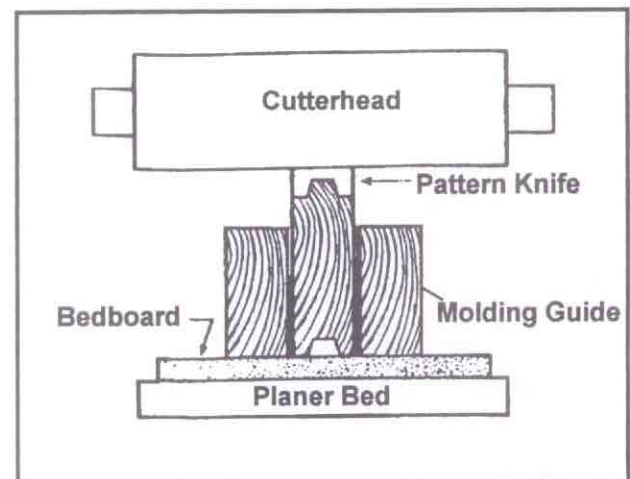


Fig. 18

Troubleshooting

Problem	Possible Causes and Solutions:
Snipe	* Dull knives Sharpen knives * Inadequate support of long boards Support long boards with extension rollers * Uneven feed roll pressure front to back Adjust feed roll pressure
Fuzzy Grain	* Planing wood with high moisture content Remove moisture by drying or use dry wood * Dull knives Sharpen knives
Torn Grain	* Too heavy a cut Review proper depth of cut * Knives cutting against grain Review planing procedures * Dull knives Sharpen knives
Rough/Raised Grain	* Dull knives Sharpen knives * Too heavy a cut Review planing procedures * Moisture content too high Remove moisture by drying or use dry wood
Round Glossy Surface	* Dull knives Sharpen knives
Wavering Molding Pattern	* Improper guide set up Review proper guide set up for molding
Tearing Out at End of Molding	* Improper guide set up Review proper guide set up for molding * Inadequate outfeed pressure Adjust feed roll tension
Poor Feeding of Lumber	* Inadequate feed roll tension Adjust feed roll tension * Motor belt slipping Tighten or replace motor belts * Planer bed rough or dirty Clean pitch and residue; wax planer bed * Surface of feed rollers too smooth Lightly roughen feed roller surface with sandpaper

Uneven Depth of Cut Side to Side

* Knife projection not uniform
Adjust knives

Table Difficult to Adjust

* Lack of lubrication on corner posts and screws
Lubricate corner posts and screws

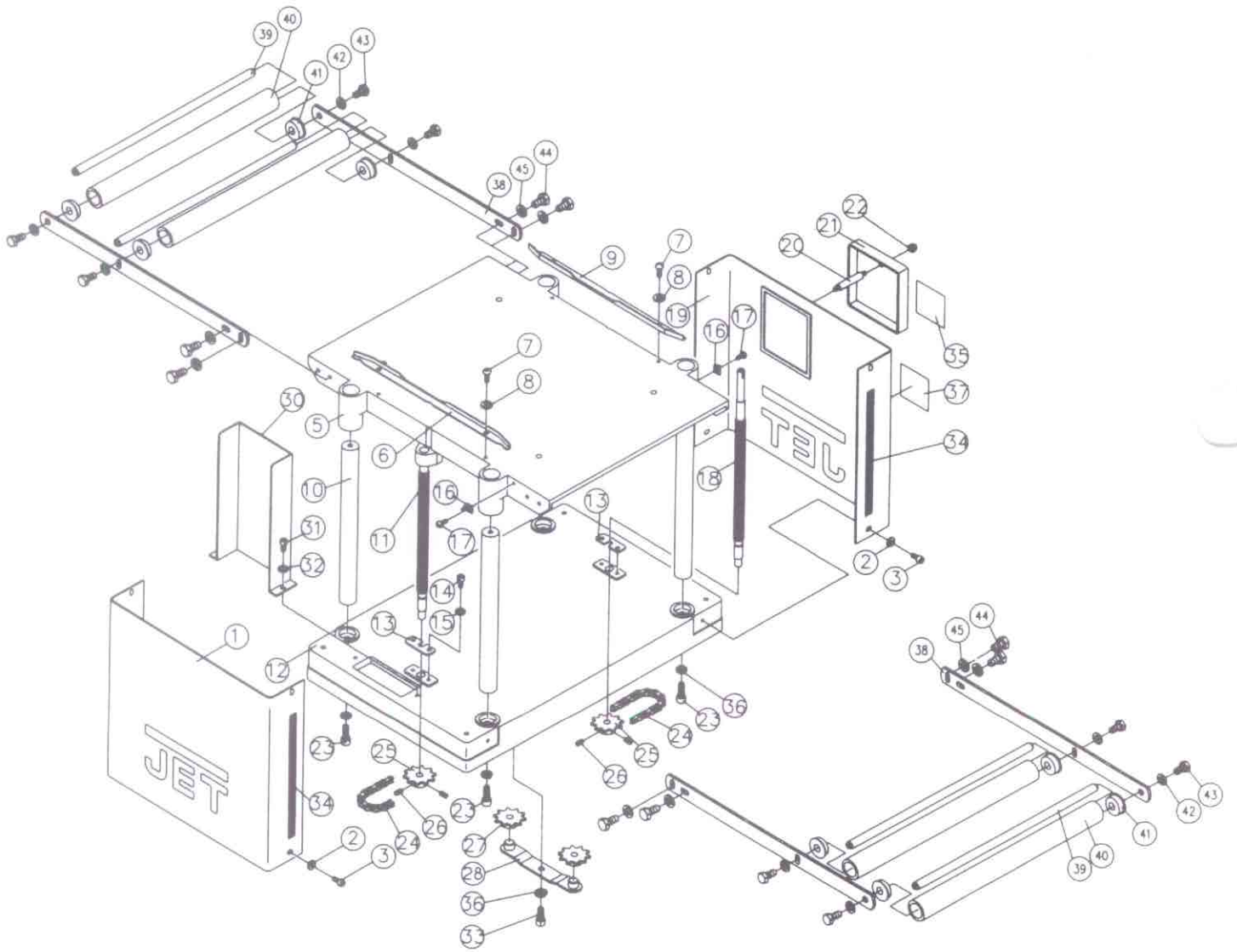
Board Thickness Doesn't Match Depth Scale

* Depth scale incorrect
Adjust depth scale

Machine Won't Start

* Not plugged in
Check power source
* Circuit breaker/fuse tripped
Check power source
* Motor failure
Have motor checked
* Loose wire
Have motor checked by qualified electrician

Table and Base Assembly

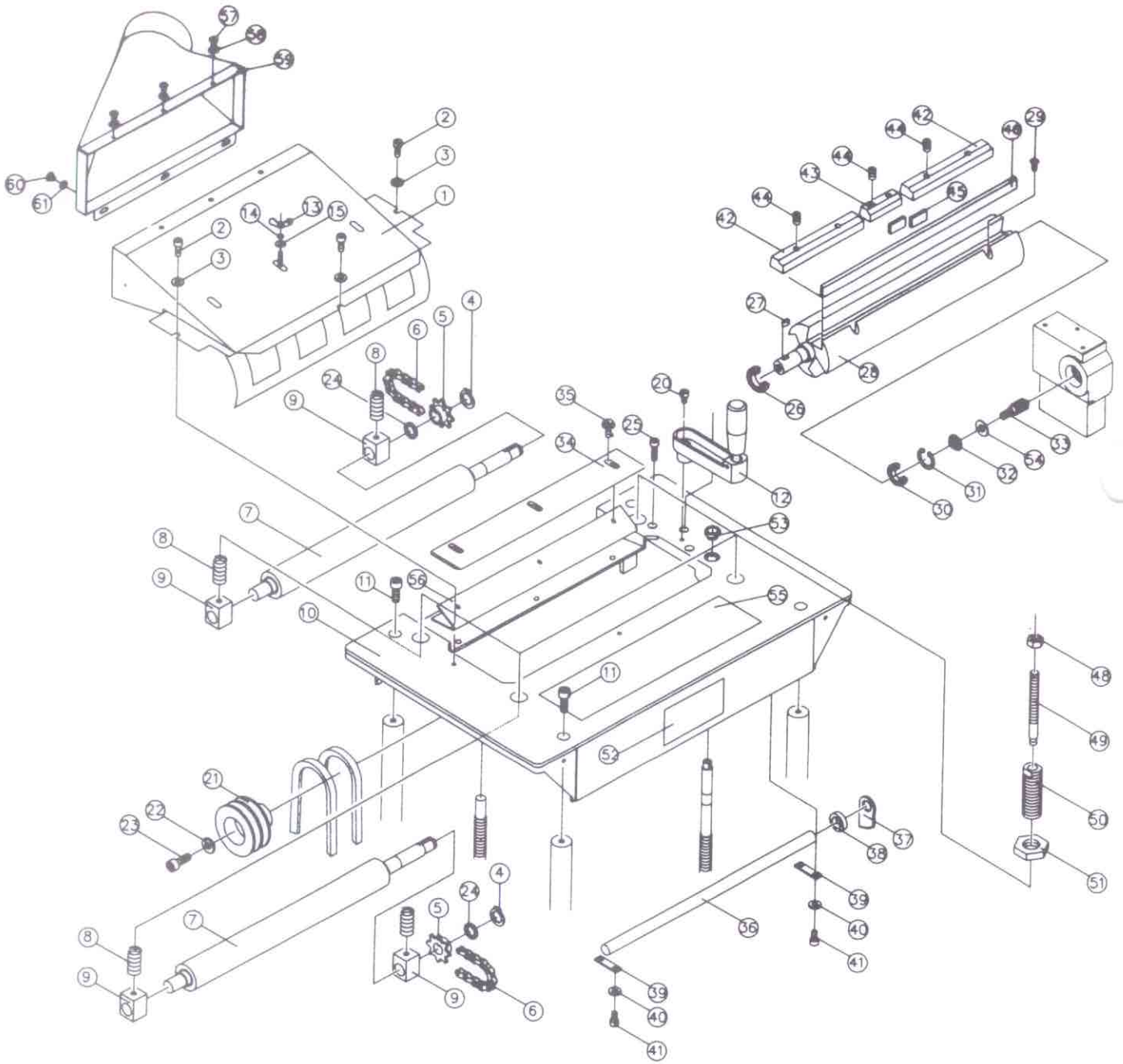


Parts List For The JPM-13CS Planer/Molder

Table and Base Assembly

Index No.	Part No.	Description	Size	Qty.
1	MHA-B01W	Cover (left)		1
2	TS-0680021	Flat Washer	1/4	8
3	TS-1503011	Hex Socket Cap Screw	M6x8	8
4	MGA-B05	Scale (inch)		1
5	MHA-B02	Middle Table (serial # 6082715 and lower)		1
	MHA-B02AW	Middle Table (serial # 6082716 and higher)		1
6	MGA-B29	Guide (left)		1
7	TS-1534031	Pan Head Machine Screw	M6x10	4
8	TS-1551041	Lock Washer	M6	4
9	MGA-B15	Guide (right)		1
10	MHA-B03	Column		4
11	MHA-B04	Leadscrew (left – serial # 6082715 and lower)		1
	MHA-B04A	Leadscrew (left – serial # 6082716 and higher)		1
12	MHA-B05W	Base		1
13	MGA-B09	Anchor Plate		2
14	TS-1503031	Hex Socket Cap Screw	M6x12	4
15	TS-1551041	Lock Washer	M6	4
16	MHA-B20	Pointer		2
17	TS-1532022	Pan Head Machine Screw	M4x8	2
18	MHA-B06	Leadscrew (right – serial # 6082715 and lower)		1
	MHA-B06A	Leadscrew (right – serial # 6082716 and higher)		1
19	MHA-B07	Cover (right – serial #810xxxx and lower)		1
	MHA-B07UW	Cover (right – serial #811xxxx and lower)		1
21	MHA-B09	Gear Box Cover (serial #810xxxx and lower)		1
	MHA-B09U	Gear Box Cover (serial #811xxxx and higher)		1
22	5BB-B07	Hex Nut		1
23	TS-1504051	Hex Socket Cap Screw	M8x25	4
24	5GF-B07	Chain		1
25	PGE-B14	Sprocket		2
26	TS-1523011	Set Screw	M6x6	4
27	PGE-B12	Sprocket		2
28	PGE-B10	Sprocket Idler/Bracket Bushing		1
29	PGE-B11	Bracket Bushing *RE:PGE-B10		2
30	MHA-B10W	Pulley Cover		1
31	TS-1503021	Hex Socket Cap Screw	M6x10	2
32	TS-0680021	Flat Washer	1/4	2
33	TS-1504051	Hex Socket Cap Screw	M8x20	1
34	MGA-B04	Scale (metric)		1
35	MHA-B11	Speed Label (serial #810xxxx and lower)		1
	MHA-B11U	Speed Label (serial #811xxxx and higher)		1
36	TS-1551061	Lock Washer	M8	5
37	MHA-C18	Identification Label		1
38	MHD-Y01A	Roller Frame		4
39	MHA-Y02A	Roller Shaft		4
40	MHA-Y02C	Roller		4
41	PJ020804	Bushing		8
42	TS-1550041	Flat Washer	M6	8
43	TS-1482021	Hex Cap Bolt	M6x12	8
44	TS-1490011	Hex Cap Bolt *	M8x12	8
45	TS-1550061	Flat Washer *	M8	8

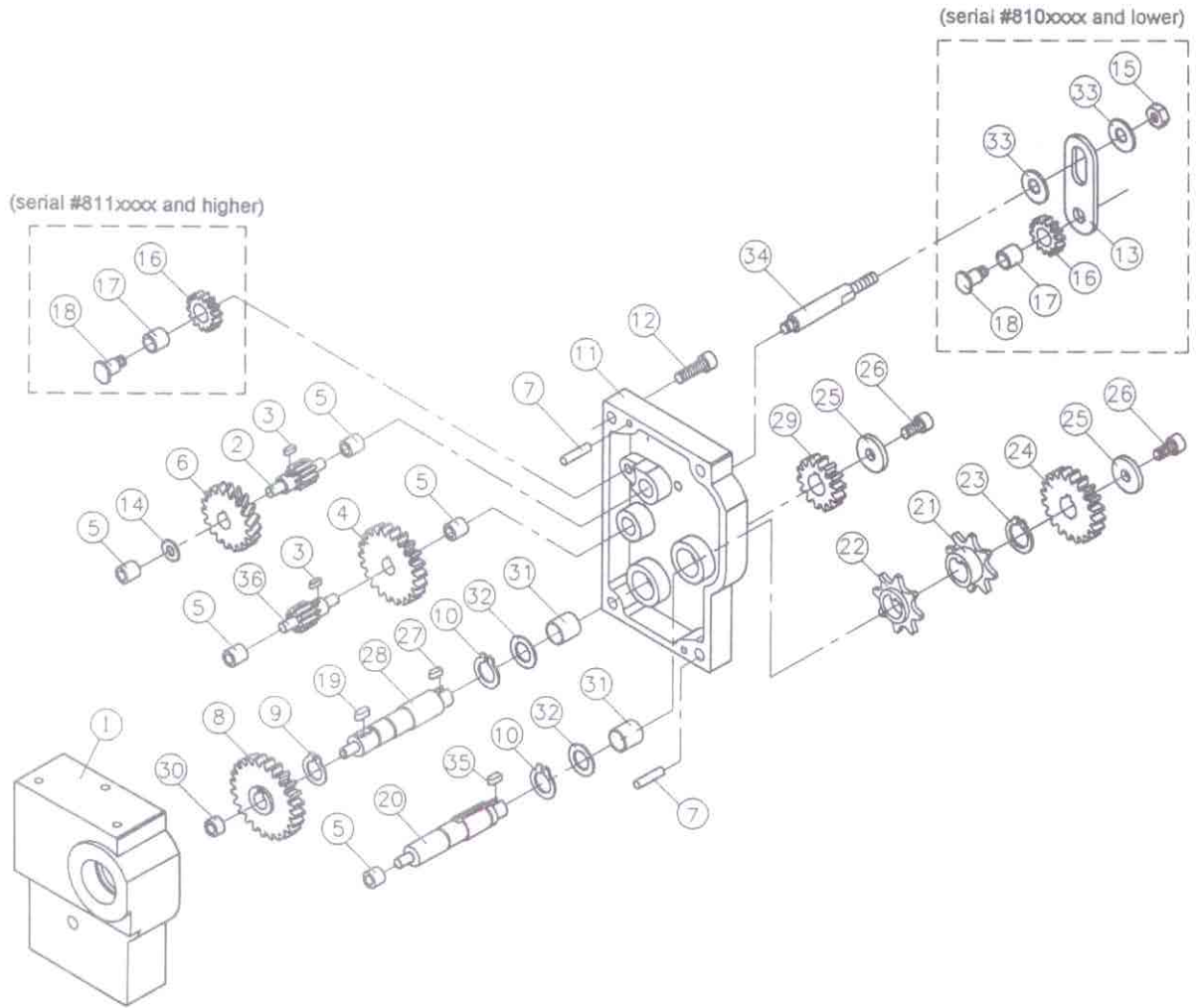
Cutterhead And Roller Assembly



Cutterhead And Roller Assembly

	MHA-CW	Dust Hood Assembly CP		1
1	MHA-C01AW	Dust Hood		1
2	TS-1503011	Hex Socket Cap Screw	M6x8	3
3	TS-0680021	Flat Washer	1/4	3
4	5FA-A10	C-Ring	STW15	2
5	PGA-C17	Sprocket		2
6	5GF-B08	Chain		2
7	MHA-C02	Feed Roller		4
8	PGA-C09	Spring		4
9	MGA-C09	Bushing		1
10	MHA-C03W	Head Body		4
11	TS-1504041	Hex Socket Cap Screw	M8x20	1
12	PGE-B19A	Handle Assembly		3
13	TS-1543021	Wing Nut		1
14	PGE-B19B	Bushing		1
15	PGE-B19C	Stud		1
20	TS-1503021	Hex Socket Cap Screw *	M6x10	1
21	MHA-C05	Spindle Pulley		1
22	TS-0680021	Flat Washer	1/4	1
23	TS-1503051	Hex Socket Cap Screw	M6x20	1
24	MHA-C06	Spacer		2
25	TS-1503041	Hex Socket Cap Screw	M6x16	3
26	BB-6203ZZ	Ball Bearing		1
27	5FK-C06	Key	5x5x15	1
28	MHA-C07	Cutterhead		1
29	TS-1513021	Flat Head Screw	M5x12	6
30	BB-6202ZZ	Ball Bearing		1
31	5BA-A28	C-Ring	RTW35	1
32	MHA-C08	Bushing		1
33	MHA-C09	Gear		1
34	MHA-C10	Chip Deflector		1
35	5AK-E128	Screw	M6x12	3
36	MHA-C11	Anti-Kickback Shaft		1
37	MGA-C30	Anti-Kickback Finger		36
38	MGA-C34	Anti-Kickback Collar		37
39	MGA-C31	Bracket		2
40	TS-1551031	Lock Washer	M5	4
41	TS-1502011	Hex Socket Cap Screw	M5x8	4
42	MHA-C12	Lock Bar (long)		6
43	MGA-C22	Lock Bar (short)		3
44	TS-1524031	Set Screw	M8x12	18
45	MGA-C23	Lock Bar Spacer		6
46	MHA-C13	Knife		3
48	TS-1540071	Hex Nut	M10x1.5	4
49	MGA-C07	Adjustment Screw		4
50	MGA-C05	Adjustment Screw		4
51	MGA-C06	Nut		4
52	MHA-C19	Warning Label (long)		1
53	PGE-B13	Bushing		1
54	MHA-C20	Washer		1
55	PJE-C03	Warning Label (small)		1
56	MHA-C22W	Plate		1
57	TS-1533031	Screw *	M5x10	3
58	TS-1550031	Flat Washer *	M5	3
59	MHA-Y01AW	Dust Chute		1
60	HS040703	Screw *	M6x8	3
61	TS-1550041	Flat Washer *	M6	3

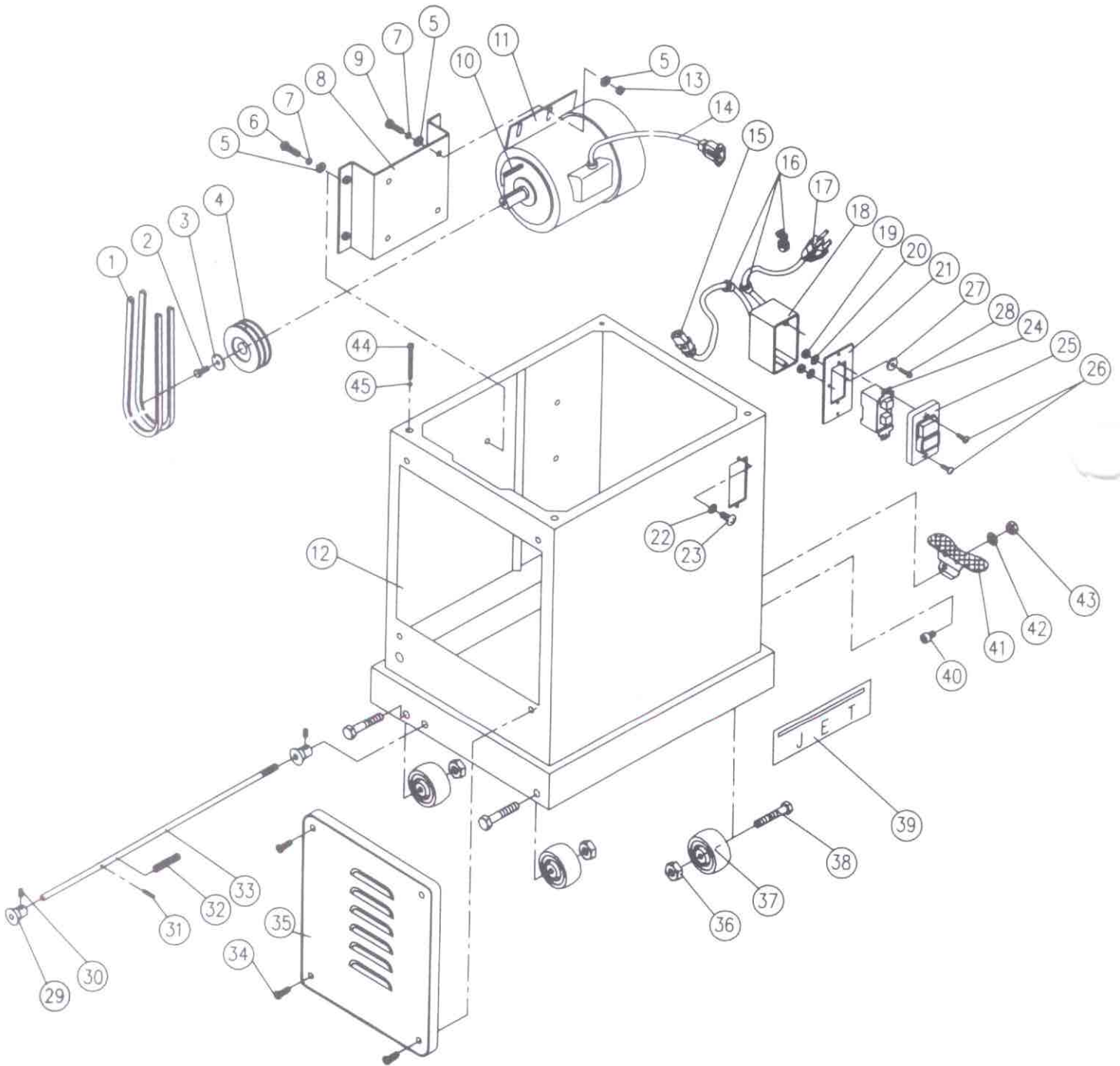
Gearbox Assembly



Gearbox Assembly

	MHA-G	Gearbox, #'s 1-33,35 (serial #810xxxx and lower)	1
	MHA-GUW	Gearbox, #'s 1-12,14,16-32,35-36 (ser. #811xxxx and higher)	1
1	MHA-G01	Gearbox Body (serial #810xxxx and lower)	1
	MHA-G01UW	Gearbox Body (serial #811xxxx and higher)	1
2	MHA-G02	Gear Shaft (serial #810xxxx and lower) 10T	2
	MHA-G02	Gear Shaft (serial #811xxxx and higher) 10T	1
3	FK-A03	Key 3x3x8	2
4	MHA-G03	Gear (serial #810xxxx and lower) 46T	1
	MHA-G03U	Gear (serial #811xxxx and higher) 44T	1
5	PGA-M15	Bushing	5
6	MHA-G04	Gear (serial #810xxxx and lower) 38T	1
	MHA-G04U	Gear (serial #811xxxx and higher) 43T	1
7	MGA-C28	Pin 4x16	2
8	MHA-G05	Gear (serial #810xxxx and lower) 51T	1
	MHA-G05U	Gear (serial #811xxxx and higher) 47T	1
9	5FA-A07	C-Ring STW12	1
10	5FA-A07	C-Ring STW12	2
11	MHA-G06	Gearbox Cover (serial #607xxxx and lower)	1
	MHA-G06N	Gearbox Cover (serial #608xxxx to 810xxxx)	1
	MHA-G06UW	Gearbox Cover (serial #811xxxx and higher)	1
12	TS-1503051	Hex Socket Cap Screw M6x20	4
13	MHA-G07	Bracket (serial #607xxxx and lower) R.H.	1
	MHA-G07N	Bracket (serial #608xxxx to 810xxxx) L.H.	1
14	TS-0680021	Flat Washer (serial #810xxxx and lower) 1/4	2
	TS-0680021	Flat Washer (serial #811xxxx and higher) 1/4	1
15	TS-1540041	Hex Nut (serial #810xxxx and lower) M6x1.0	1
16	MHA-G08	Gear (serial #607xxxx and lower) 24T	1
	MHA-G08N	Gear (serial #608xxxx to 810xxxx) 28T	1
	MHA-G08U	Gear (serial #811xxxx and higher) 22T	1
17	PGA-M12	Bushing	1
18	MHA-G09	Stud Bolt (serial #607xxxx and lower)	1
	MHA-G09N	Stud Bolt (serial #608xxxx and higher)	1
19	MHA-G18	Key 5x5x9	1
20	MHA-G10	Shaft (serial #607xxxx and lower)	1
	MHA-G10N	Shaft (serial #608xxxx and higher)	1
21	PGA-C17	Sprocket	1
22	MGA-C32	Sprocket	1
23	5FA-A10	C-Ring STW15	1
24	MHA-G11	Gear (serial #810xxxx and lower) 43T	1
	MHA-G11U	Gear (serial #811xxxx and higher) 40T	1
25	5EB-A08	Washer	2
26	TS-1503031	Hex Socket Cap Screw M6x12	2
27	5FK-B02	Key 4x4x7	1
28	MHA-G12	Shaft (serial #607xxxx and lower)	1
	MHA-G12N	Shaft (serial #608xxxx to 810xxxx)	1
	MHA-G12U	Shaft (serial #811xxxx and higher)	1
29	MHA-G13	Gear (serial #810xxxx and lower) 31T	1
	MHA-G13U	Gear (serial #811xxxx and higher) 29T	1
30	MHA-G14	Bushing (serial #810xxxx and lower) I.D. 6	1
	MHA-G14U	Bushing (serial #811xxxx and higher) I.D. 10	1
31	MHA-G15	Bushing (serial #607xxxx and lower)	2
	MHA-G15N	Bushing (serial #608xxxx and higher)	2
32	MHA-G16	Washer	2
33	MHA-G17	Washer (serial #810xxxx and lower)	2
34	MHA-B08	Stud	1
35	5FK-B05	Key 4x4x12	1
36	MHA-G19	Gear Shaft (serial #811xxxx and higher) 10T	1

Stand and Motor Assembly



Stand and Motor Assembly

1	VB-M45	V-Belt		2
2	TS-0051011	Hex Cap Bolt	5/16-18NCx1/2	1
3	PJA-C03	Washer		1
4	MHA-S01	Motor Pulley		1
5	TS-1550061	Flat Washer	M8	12
6	TS-2288202	Round Cap Hex Socket Slot Screw	M8x1.25x20	4
7	TS-1551061	Lock Washer	M8	8
8	MHD-S02	Motor Bracket		1
9	TS-1490031	Hex Cap Bolt	M8x1.25x20	4
10	5FK-C13A	Key	5x5x30	1
11	MHA-S02AW	Motor	1 1/2 HP 115/230V	1
	MHA-S02W	Motor Assy. (inc. 10, 11, 14)		1
12	MHD-S01	Stand		1
13	TS-1540061	Hex Nut	M8x1.25	4
14	MHA-S02B	Motor Cord	14AWG	1
15	MHA-S14	Switch Cord	14AWG	1
16	5MA-I04	Strain Relief Bushing		3
17	MHA-S16	Power Cord	14AWG	1
18	JEA-S14	Switch Box		1
19	TS-1540021	Hex Nut	M4	2
20	5EB-E05	Star Washer	M5	2
21	JE090702	Plate		1
22	5EB-A04	Washer	M5	2
23	5CD-C06B	Screw	3/16-24NCx1/2	2
24	JE011302	Switch		1
25	JI-X01	Switch Cover		1
26	5AL-C10A	Pan Head Machine Screw	M4x25	2
27	TS-1550021	Washer		2
28	TS-2284301	Screw	M4x.7x30	2
29	PJN-S04	Eccentric Cam		2
30	TS-1523011	Set Screw	M6x1.0x6	2
31	HG010911	Spring Pin	4x20	1
32	PG010033	Spring		1
33	MHD-S03	Shaft		1
34	5EA-E06A	Flat Head Screw	M6x1.0x12	4
35	PJ100001	Door		1
36	TS-0561031	Lock Nut	3/8-16NC	4
37	PJE-S05	Wheel		4
38	5CA-H16B	Hex Cap Bolt	3/8-16NCx2 1/2	4
39	PG-M02	JET Label		1
40	TS-1503031	Hex Socket Cap Screw	M6x1.0x12	1
41	PJN-S02	Foot Brake		1
42	TS-1550071	Washer	M10	1
43	TS-2342101	Lock Nut	M10x1.5	1
44	TS-1550041	Flat Washer	M6	4
45	HS020440	Hex Socket Cap Screw	M6x70	4
	708361	Dust Chute Assembly		1
	MHD-S17	Hardware Bag (not shown)		1
	MHA-X06	Brass Bar (not shown)		1
	MGA-B14A	Feed Roller Adjustment Wrench 17/32 mm (not shown)		1
	MGA-B14D	Knife Setting Gauge (not shown)		1
	MGA-B14F	Molding Cutter Gauge (not shown)		1
	MHA-X07	T-Handle Hex Wrench (not shown)	4mm	1

* included in Hardware Bag

Electrical Schematic

